

Wing 302 - Electromechanical Linear Ram

- External fitting
- Irreversible
- Grease lubricated reduction
- Key release system
- 390 stroke



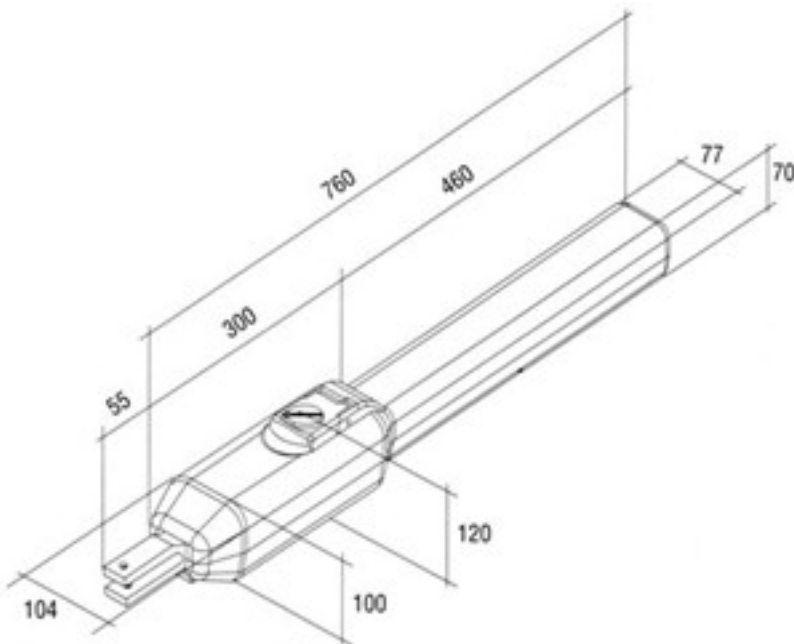
Description

Series WING pistons have been created to answer to the most modern automation systems. The carefully chosen components and the particular finish level give to this article a high quality and reliability with a very pleasant look.

Item 302: Stroke piston 390-230 Volts

Item 302/24: Stroke piston 390-24 Volts DC

It is necessary to use electronic devices equipped with electric power adjustment item 202, 202 E or 224.



Model	302	302/24
Maximum lenght	1,5 mt.	1,5 mt.
Volts	230	24 DC
Watt	300	40
Hz	50/60	—
Speed stem m/sec.	0,017	0,017
Thrust max N	1750	700
I.L./h*	30%	70%
Weight with packing	8,5 kg	10 kg

*I.L./h= Work intermittence/Hour 220V - room temperature 20°C