

Pass 220



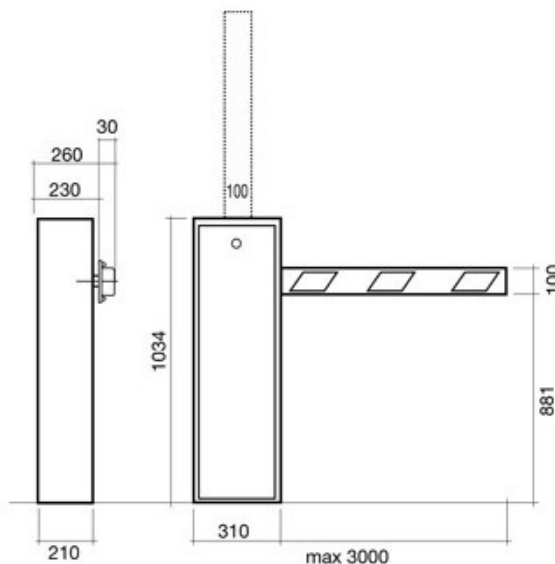
Electromechanical barrier - Painted box with lock provided door

- Grease soaked gear motor
- Irreversible
- Key release system.
- Spring damping.
- Built-in limit switch.
- Half heavy duty.
- Built-in control box.

Description

The barrier produced by DEA SYSTEM may be left-hand or right-hand thanks to its system composed by easily invertible levels. The three levers equipped bar block protects the motor against vandalism acts. A built-in limit switch allows sharp bar adjustment the emergency release on the motor allows the opening of the bar if necessary. The barriers are provided with buit in control box. Pass is available in the 3 meters version.

Item 220: 3 meters barrier for residential use



Model	PASS
Volts	230
Watt absorbed	230
Hz	50/60
Turn/min.	0,45
Couple Max Nm	350
I.L./h*	40%
Weight with packing	45 Kg
Speed 90° sec.	3,5"

*I.L./h- Work intermittence/Hour 230V - ambient temperature 20°C